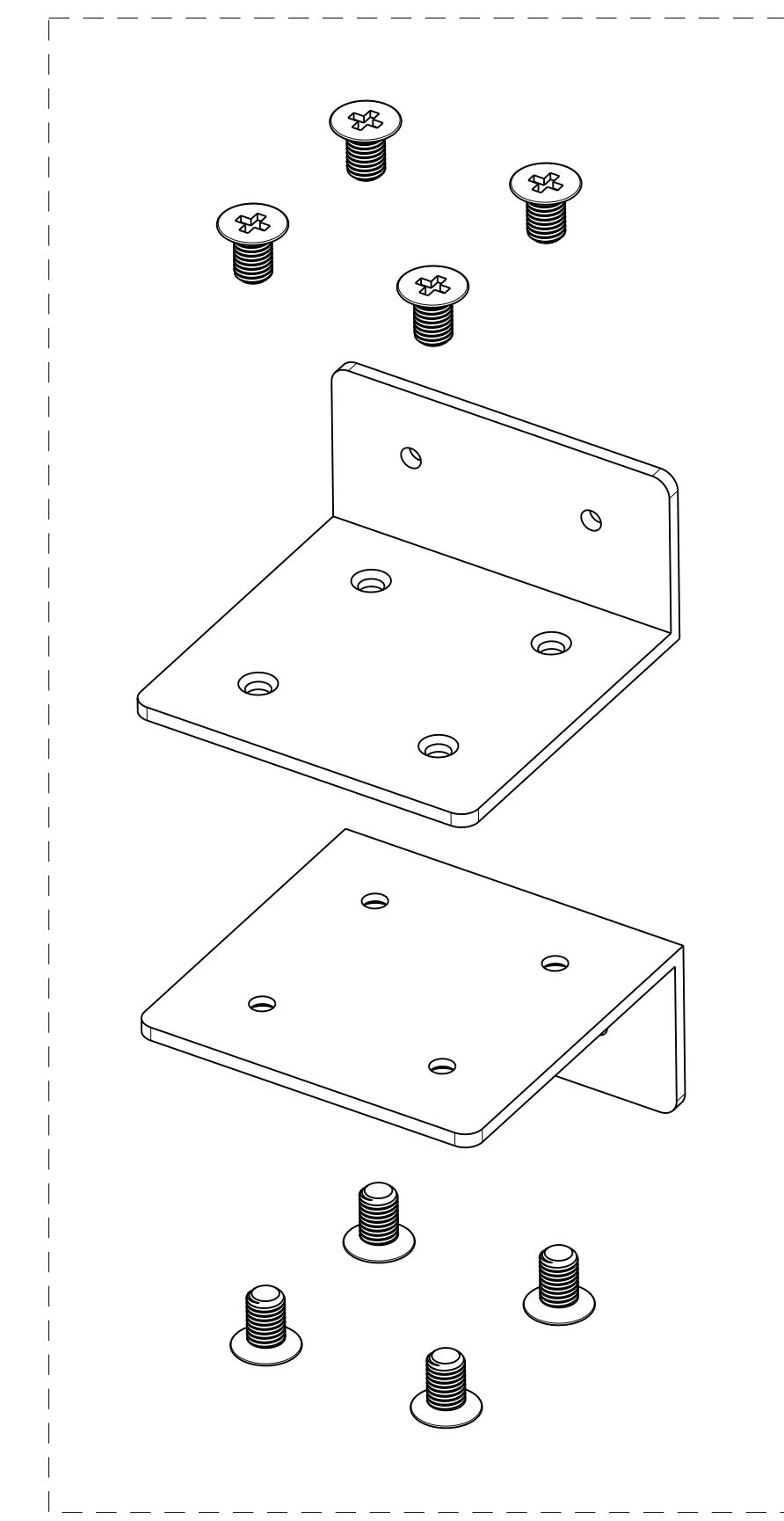
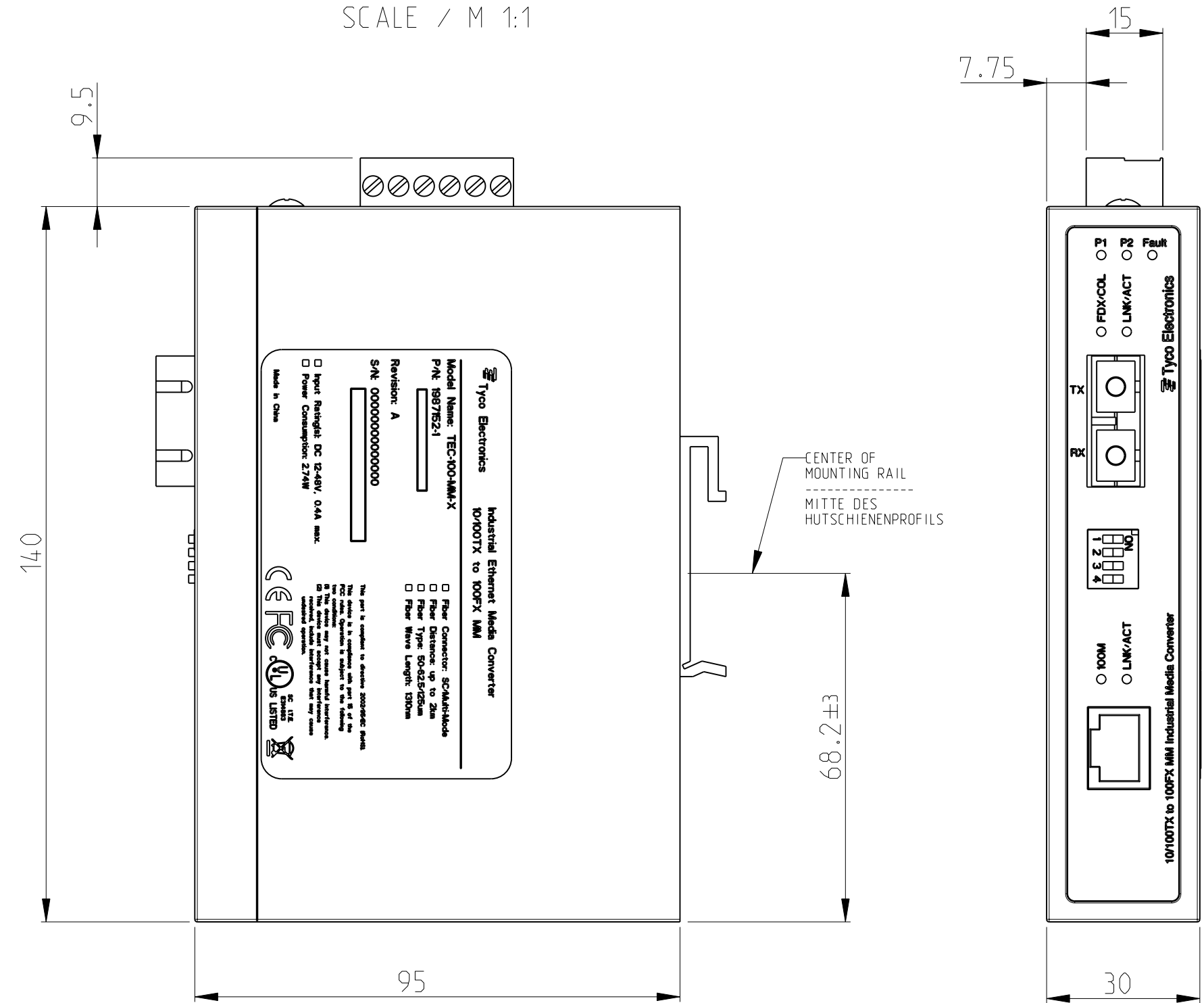


1987152-1 AS SHOWN

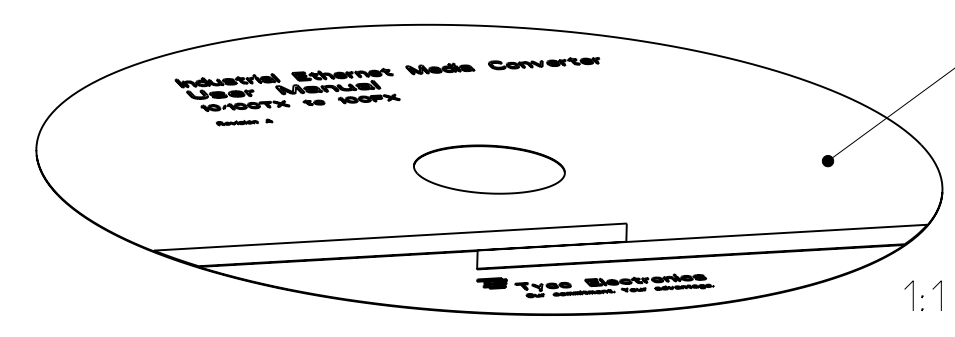
SCALE / M 1:1



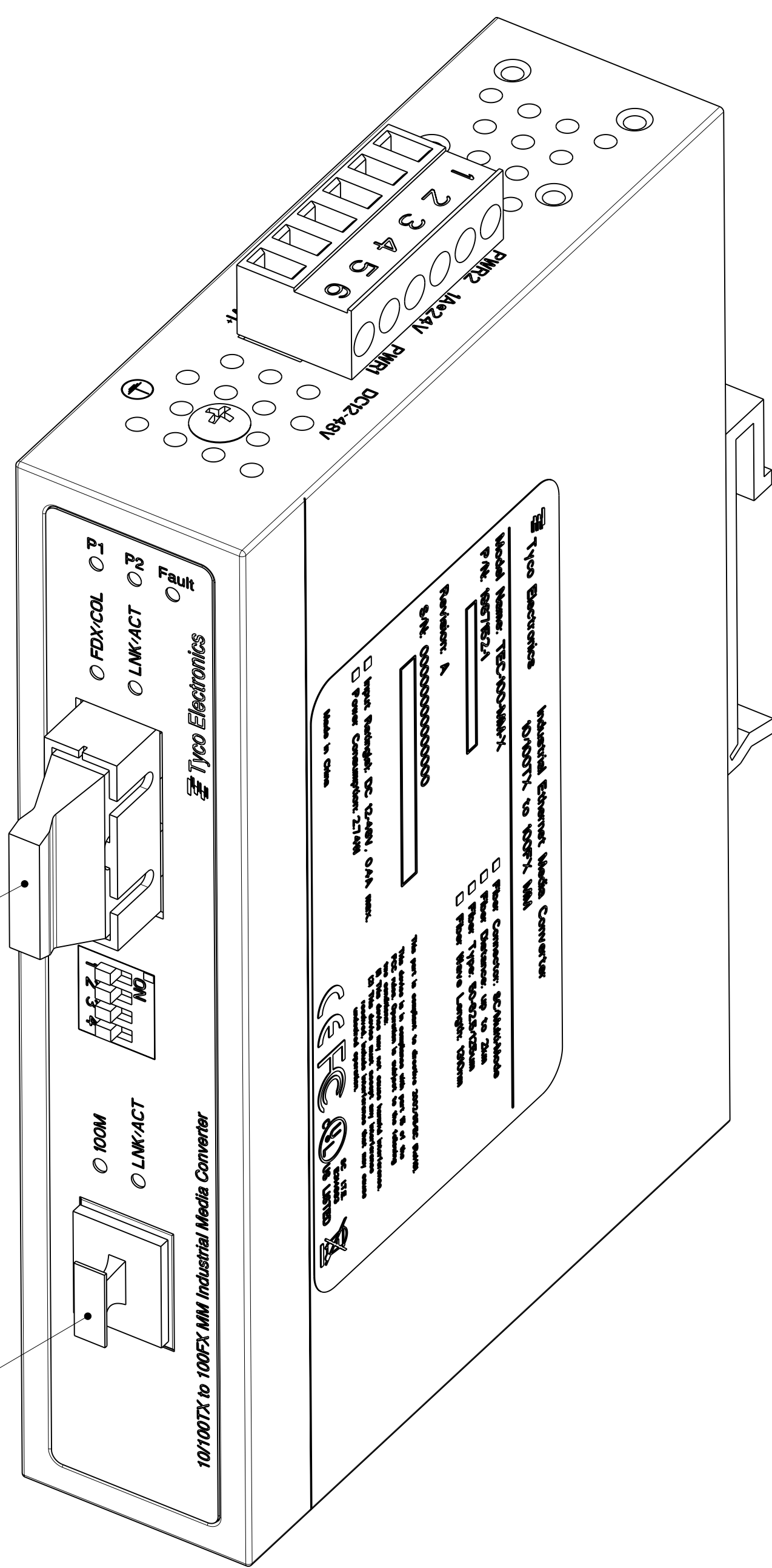
W ALL MOUNTING KIT
 ENCLOSED
 W ANDMONTAGE-BAUSATZ
 BEILIEGEND

DUST COVER
 FOR FIBER PORT
 1 x ENCLOSED
 STAUBSCHUTZKAPPE
 FUER FASER-
 OPTISCHEN EINGANG
 1 x BEILIEGEND

DUST COVER
 FOR RJ45 PORT
 1 x ENCLOSED
 STAUBSCHUTZKAPPE
 FUER RJ45-EINGANG
 1 x BEILIEGEND



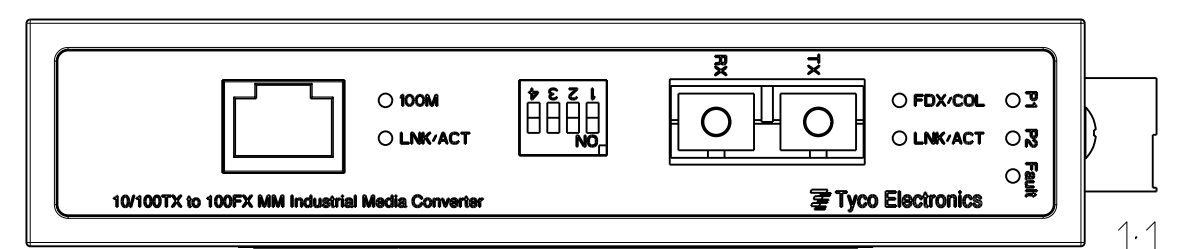
USER MANUAL CD
 ENCLOSED
 BEIENUNGSANLEITUNGS-CD
 BEILIEGEND



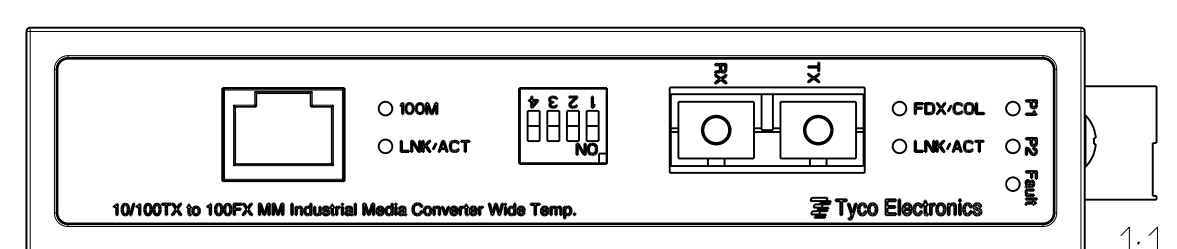
1987152-1 AS SHOWN

HARDWARE SPECIFICATION	
1	ETHERNET STANDARD COMPLIANCE IEEE 802.3 - 10BASE-T IEEE 802.3u - 100BASE-TX AND 100BASE-FX IEEE 802.3x - FLOW CONTROL AND BACK PRESSURE
2	SWITCH ARCHITECTURE STORE-AND-FORWARD SWITCHING ARCHITECTURE LINK LOSS FORWARD (LLF) AND LINK FAULT PASS-THROUGH (LFP)
3	DIP SWITCH 1: ON: PORT/POWER ALARM ENABLED OFF: PORT/POWER ALARM DISABLED 2: ON: LFP AND LFP DISABLED OFF: LFP AND LFP DISABLED 3: ON: 100BASE-FX HALF MODE OFF: 100BASE-FX FULL MODE 4: ON: MEDIA MODE OFF: SWITCHING MODE
4	ETHERNET PORTS - 10/100TX RJ-45 WITH AUTO MDI/MDI-X SUPPORT - 100FX SC CONNECTOR FOR MULTI-MODE (MM), WAVE LENGTH 1310nm MULTI-MODE FIBER: 50/125 μm-62.5/125 μm, MAX. DISTANCE 2km
5	LED PER UNIT: POWER 1 (GREEN), POWER 2 (GREEN), FAULT (RED) FIBER PORT: LINK/ACTIVITY (GREEN), HALF/FULL DUPLEX (YELLOW) RJ-45 PORT: LINK/ACTIVITY (GREEN), 10/100Mbps (YELLOW)
6	POWER SUPPLY WIDE RANGE SUPPLY: 12 TO 48 V DC REVERSE POLARITY PROTECTED OVERLOAD CURRENT PROTECTED (RE-SETTABLE FUSE)
7	POWER CONSUMPTION 2.74 WATTS

FRONT PANEL 1987152-1



FRONT PANEL 1987152-2



TYCO ELECTRONICS ORDER NO. BESTELL-NR.		
1987152-2	1987152-1	
1	2	10/100TX to 100FX MM MEDIA CONVERTER TEC-100-MM-XE WIDE OPERATING TEMPERATURE RANGE -40 °C TO 75 °C
-	1	10/100TX to 100FX MM MEDIA CONVERTER TEC-100-MM-X STANDARD OPERATING TEMPERATURE RANGE -10 °C TO 60 °C
QUANTITY STUECK	ITEM NO. POS.	DESCRIPTION BENENNUNG

DIMENSIONS MASSENEIEN: (mm)		TOLERANCES, UNLESS OTHERWISE SPECIFIED: ALLGEMEINTOLERANZEN	
0 PLC	±1	0	±1
1 PLC	±1	1	±1
2 PLC	±1	2	±1
3 PLC	±1	3	±1
4 PLC	±1	4	±1
MATERIAL -		WEIGHT GEWICHT 425 g	
DWN S. STOLZ 12SEP2007		Tyco Electronics AMP GmbH 64625 Bensheim (Germany)	
CHK B. BERGNER 12SEP2007		NAME INDUSTRIAL ETHERNET MEDIA CONVERTER TEC-100-MM-X(E) 10/100TX TO 100FX (MM)	
APVD P. KRAEMER 12SEP2007		SIZE CAGE CODE DRAWING NO. ZEICHNUNGS-NR. A1 00779 C-1987152	
CUSTOMER DRAWING /KUNDENZEICHNUNG		RESTRICTED TO NUR FUER -	
SCALE MASSSTAB 2:1		SHEET BLATT 1 OF VON 1	
REV A2		REV A2	